

# Ziza™ Play Table

Art. No. SC630

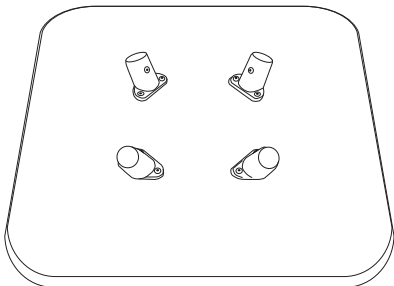


<b>UK</b>	User Manual
<b>DK</b>	Brugervejledning
<b>SE</b>	Användarmanual
<b>NO</b>	Brukerveiledning
<b>DE</b>	Gebrauchsanleitung

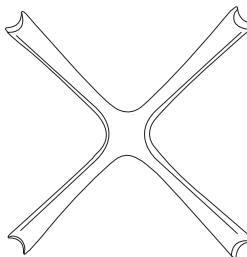


	<b>a x 1</b>	<b>b x 4</b>	<b>c x 1</b>	<b>d x 4</b>	<b>e x 1</b>
<b>UK</b> Package contents	Tabletop	Legs	Cross support	Screws	Allen Key
<b>DK</b> Indhold	Bordplade	Ben	Kryds-afstivning	Skruer	Unbrakonøgle
<b>SE</b> Innehållslista	Bordskiva	Ben	Korsstöd	Skrubar	Insexnyckel
<b>NO</b> Innhold	Bordplate	Ben	Tverrstøtte	Skruer	Unbrakonøkkel
<b>DE</b> Teileliste	Tischplatte	Beine	Querstrebe	Schrauben	Innensechskantschlüssel

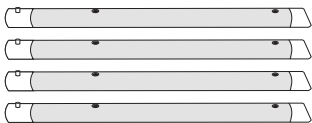
**a**



**c**



**b**

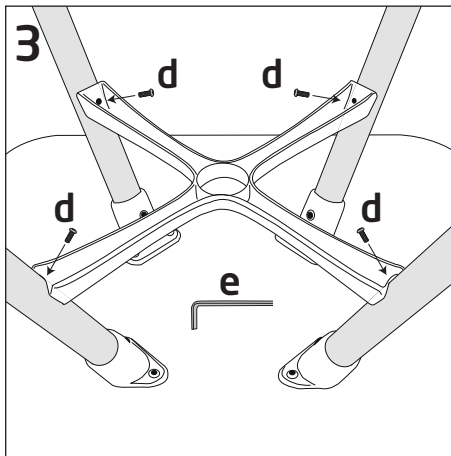
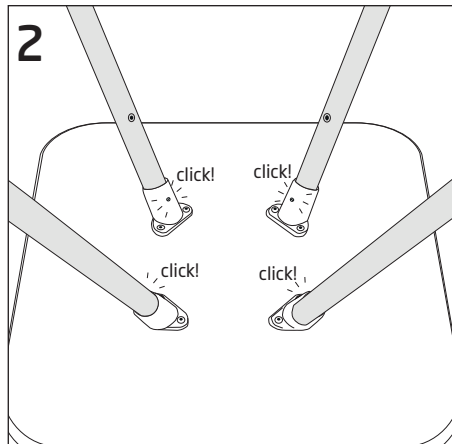
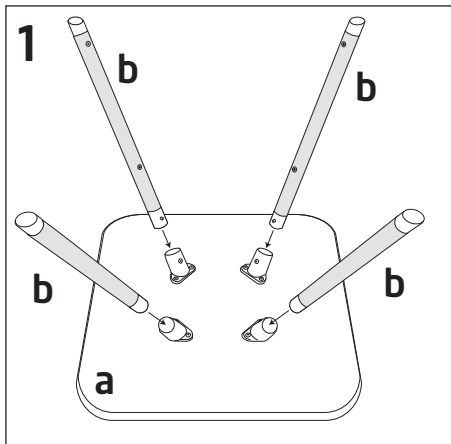


**d**

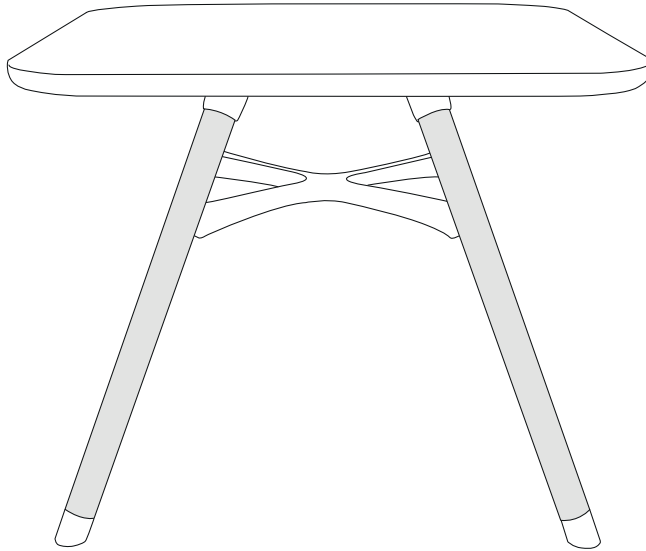


**e**





- UK** Clean with water and mild dish soap.
- DK** Rengør med vand og mildt opvaskemiddel.
- SE** Rengör med vatten och mild diskmedel.
- NO** Rengjør med vann og mild oppvaskemiddel.
- DE** Mit Wasser und milder Spülmittel reinigen.



[www.ziza-baby.com](http://www.ziza-baby.com)



Ziza™ is a high quality brand developed and manufactured by Safe and Care Co.

**Europe: Marketing and Development**

Safe and Care Co. ApS | Hustedvej 3 | 7830 Vinderup | Denmark

[www.ziza-baby.com](http://www.ziza-baby.com) | [contact@ziza-baby.com](mailto:contact@ziza-baby.com)

**Asia: Manufacturing** | Safe and Care Co. | Jiangbei Road, Xiani Village  
523655 Qingxi Town | Dongguan City | Guangdong Province | China

